



Solenoid valve 2/2 way N.C. Combined operation

21H11K0V120
÷
21H14K0V250-S

PRESENTATION:

Combined operation S.V. for interception of fluids compatible with the construction materials.

Minimum operational pressure is not required.

The materials used and the tests undertaken ensure maximum reliability and duration.

USE: Automation
Heating

PIPES: G 3/8 - G 1

COILS: 8W - Ø 13
BDA - BDS - BSA 155°C (class F)
BDF - BDV 180°C (class H)
12W - Ø 13
UDA 155°C (class F)
14W - Ø 13
GDH - GDV 180°C (class H)

MOULDING AND BOBBIN ARE MADE BY 100% VIRGIN MATERIAL.

Max. allowable pressure (PS)

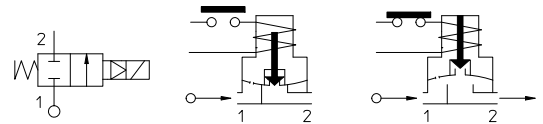
G 3/8 - G 1/2 20 bar
G 3/4 - G 1 16 bar

Ambient temperature:

with coils class F - 10°C + 60°C
with coils class H - 10°C + 80°C



| Gaskets | Temperatur | | Medium |
|-----------------------------|------------|--------|--------------------------------------|
| V=FKM (fluoroelastomer) | - 10°C | +140°C | Mineral oils (2°E), gasoline gas oil |
| B=NBR (nitrile rubber) | - 10°C | + 90°C | Air, inert gas, water |
| E=EPDM (ethylene-propylene) | - 10°C | +140°C | Water, low pressure steam |



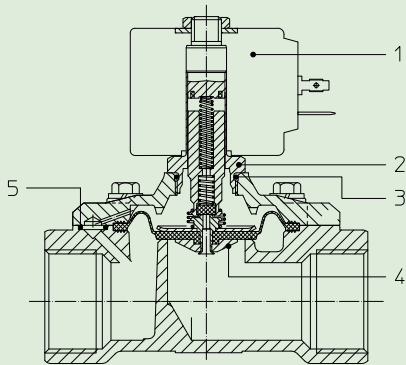
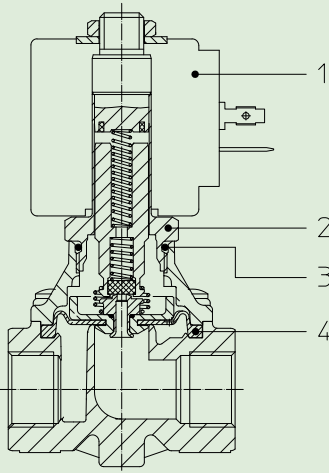
For seals other than FKM replace the letter "V" with the ones corresponding to the other seals. E.I. 21H11K0B120.

| Pipe ISO 228/1 | Code | Max viscosity | | Ø mm | Kv l/mn | Power (watt) | Pressure | | |
|----------------|----------------|---------------|-----|------|---------|--------------|----------|------------------------|-----|
| | | cSt | °E | | | | min bar | M.O.P.D. AC bar DC bar | |
| G 3/8 | 21H11K0V120 | 12 | ~ 2 | 12 | 28 | 8 | 0 | 16 | 1,5 |
| | | | | | | 12 | | 20 | 6 |
| | | | | | | 14 | | 15 | |
| G 1/2 | 21H12K0V120 | 12 | ~ 2 | 12 | 32 | 8 | 0 | 16 | 1,5 |
| | | | | | | 12 | | 20 | 6 |
| | | | | | | 14 | | 15 | |
| G 3/4 | 21H13K0V190 | 12 | ~ 2 | 19 | 70 | 8 | 0 | 5 | - |
| | | | | | | 12 | | 12 | - |
| | *21H13K0V190-S | | | 65 | 12 | - | | 1,5 | |
| | | | | | 14 | | | 6 | |
| G 1 | 21H14K0V250 | 12 | ~ 2 | 25 | 105 | 8 | 0 | 5 | - |
| | | | | | | 12 | | 12 | - |
| | *21H14K0V250-S | | | 95 | 12 | - | | 1 | |
| | | | | | 14 | | | 6 | |

Note

* For DC only.

The "ODE" reserves the right to carry out technical and aesthetic modifications without prior notification.



MATERIALS:

Body Brass - UNI EN 12165 CW617N
Welded armature tube Stainless steel AISI series 300
Fixed core Stainless steel AISI series 400
Plunger Stainless steel AISI series 400
Phase displacement ring Copper - Cu 99,9%
Spring Stainless steel AISI series 300
Seal Standard: V=FKM
 On request: B=NBR E=EPDM
Orifice Brass - UNI EN 12165 CW617

On request:
Connector Pg 9 or Pg 11
Connector conformity ISO 4400

FEATURES:

Electrical conformity IEC 335
Protection degree IP 65 EN 60529 (DIN 40050)
 with coil fitted by connector.

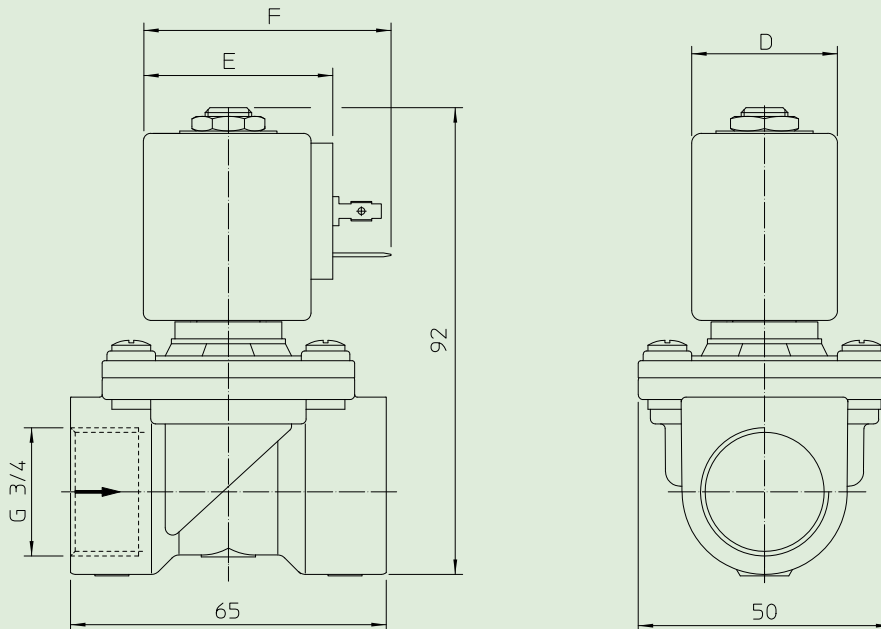
SPARE PARTS:

- 1. Coil:** See coils list
- 2. Complete armature tube without gasket:** Code R450603
- 3. Gasket O-Ring :** Code R990000/V
- 4. Complete diaphragm with plunger:** G 3/8 -G 1/2 Code R452127/V
G 3/4 -G 1 Code R452128/V
- 5. Gasket O-Ring :** G 3/4-G 1 Code R990002/

MAINTENANCE KIT:

- G 3/8÷G 1/2
- KTGH11K0V12=4
- G 3/4÷G 1
- KTGH13K0V19=4+5

DIMENSIONS:



| Type | Pipe ISO 228/1 | A mm | B mm | C mm |
|-------------|----------------|------|------|------|
| 21H11K0V120 | G 3/8 | 40 | 100 | 50 |
| 21H12K0V120 | G 1/2 | | | |
| 21H13K0V190 | G 3/4 | 65 | 105 | 104 |
| 21H14K0V250 | G 1 | | 112 | |

| COIL TYPE | POWER ABSORPTION | | | DIMENSIONS | | |
|-----------|------------------|-----------|-------------|------------|------|------|
| | W ≡ | Hold VA ~ | Inrush VA ~ | D mm | E mm | F mm |
| B | 8 | 14,5 | 25 | 30 | 42 | 54 |
| U | 12 | 23 | 35 | 36 | 48 | 60 |
| G | 14 | 27 | 43 | 52 | 55 | 67 |